

1

2

3

4

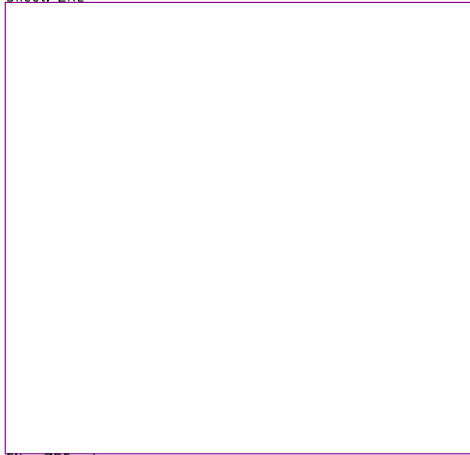
5

6

A

A

Sheet: ZRE



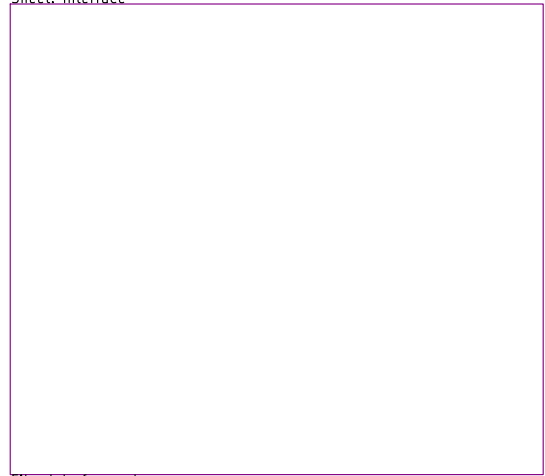
File: ZRE.sch

Sheet: BWS



File: BWS.sch

Sheet: Interface



File: Interface.sch

B

B

C

C

D

D

1

2

3

4

5

6

**H.Kn.**

Sheet: /  
File: Z1013\_Desktop\_V3.01.sch

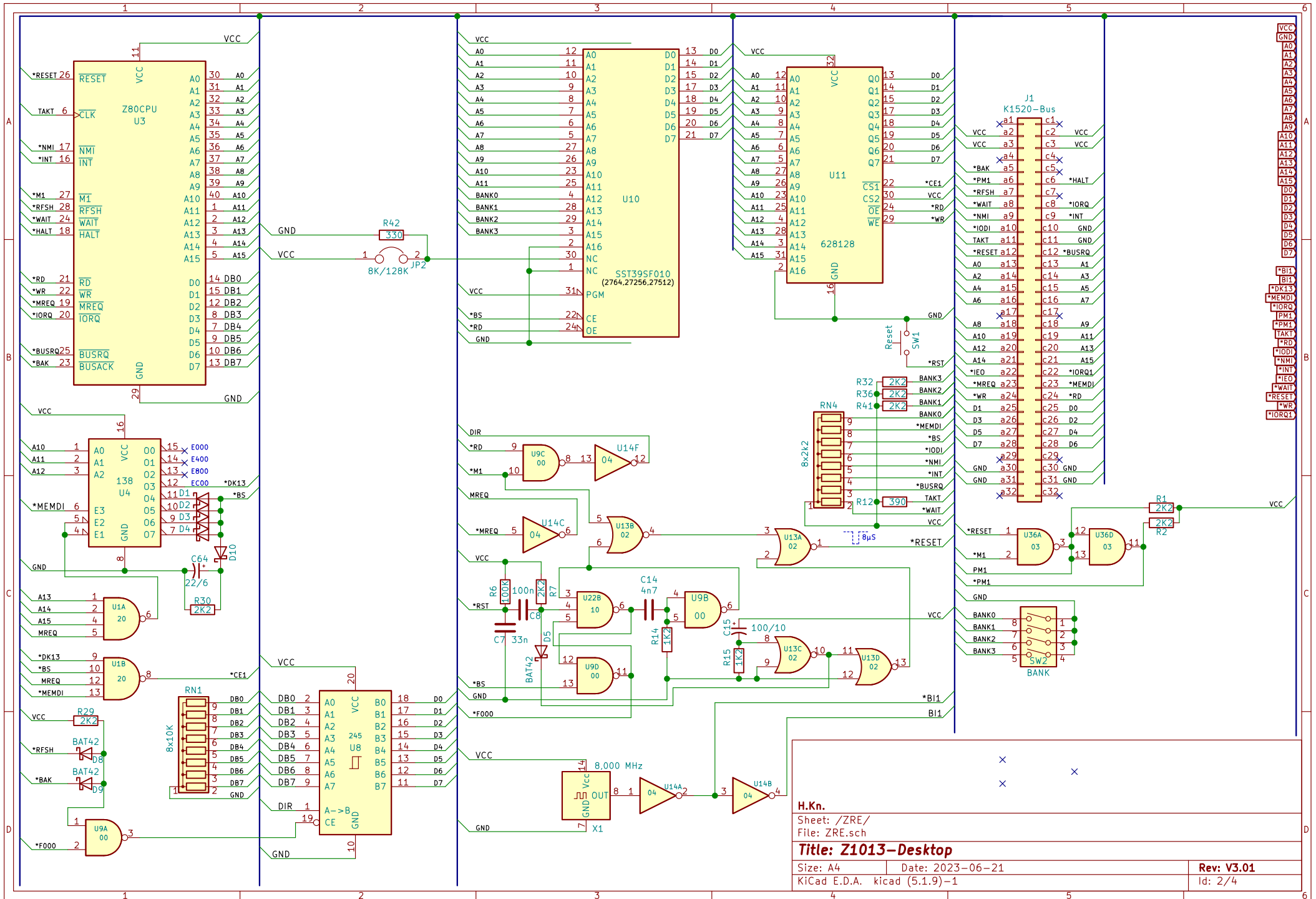
**Title: Z1013-Desktop**

Size: A4      Date: 2023-04-29

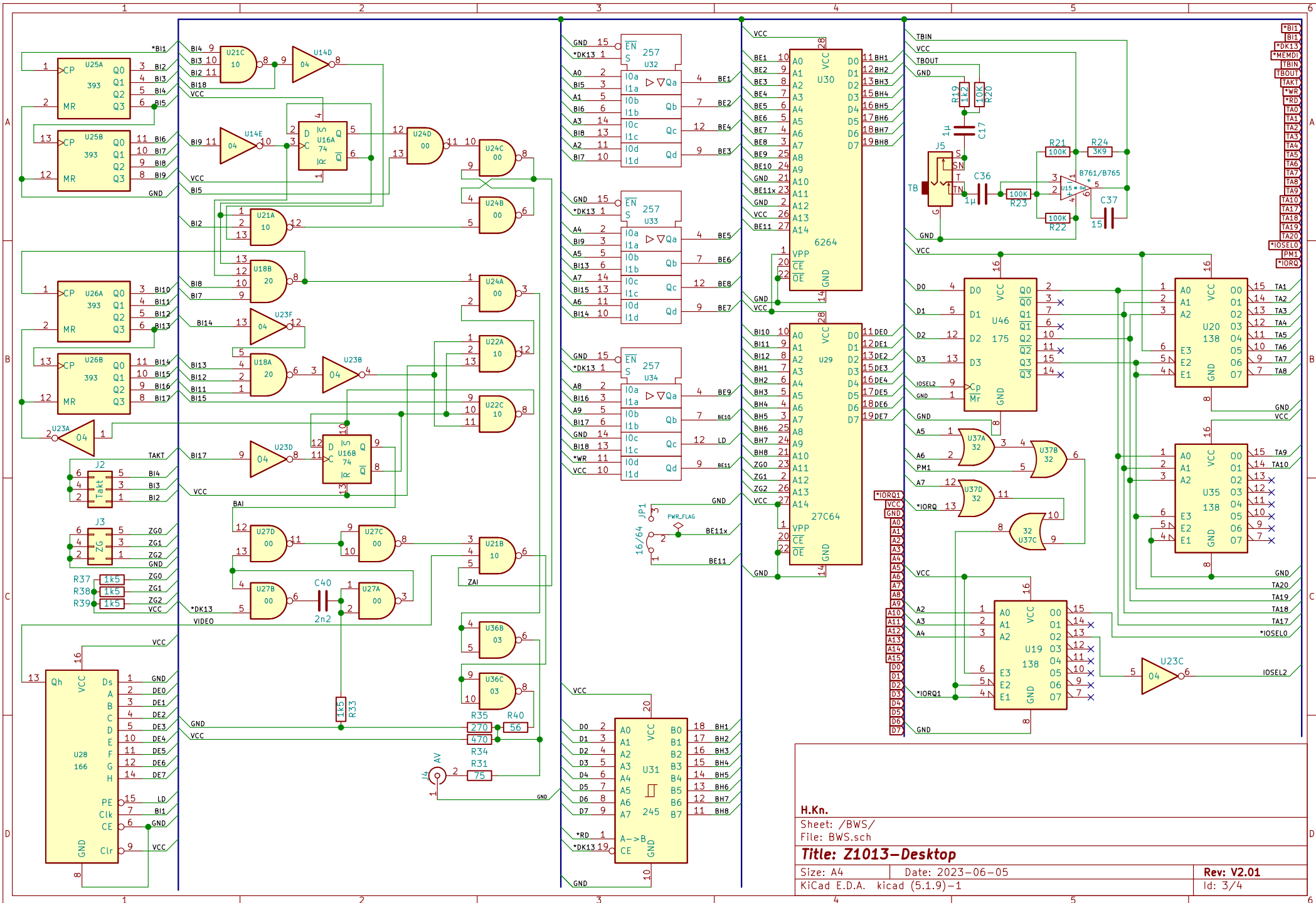
KiCad E.D.A. kicad (5.1.9)-1

**Rev: V2.01**

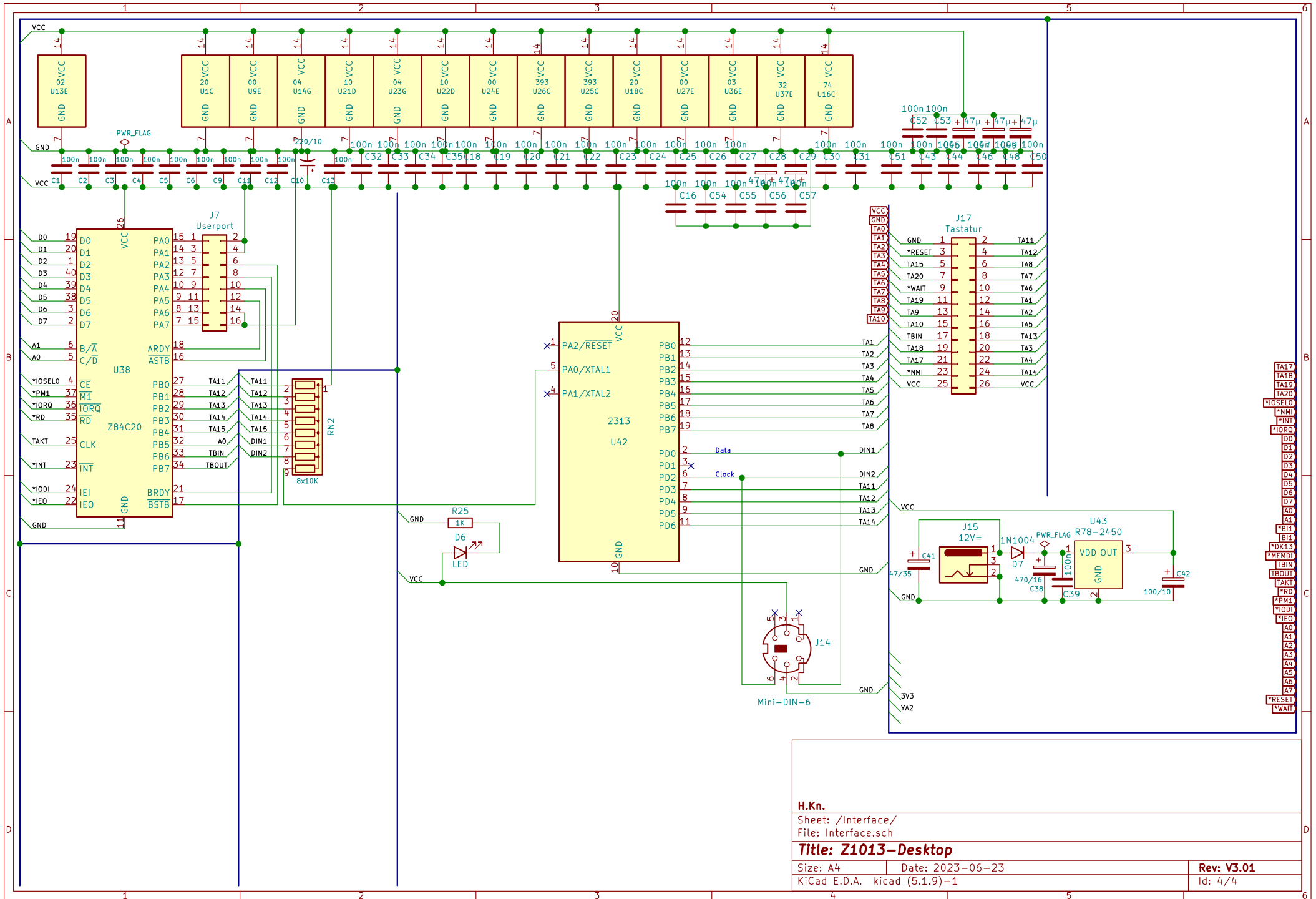
Id: 1/4



H.Kn.	
Sheet: /ZRE/	
File: ZRE.sch	
<b>Title: Z1013-Desktop</b>	
Size: A4	Date: 2023-06-21
KiCad E.D.A. kicad (5.1.9)-1	Rev: V3.01
Id: 2/4	



<b>H.Kn.</b>		
Sheet: /BWS/		
File: BWS.sch		
<b>Title: Z1013-Desktop</b>		
Size: A4	Date: 2023-06-05	Rev: V2.01
KiCad E.D.A. kicad (5.1.9)-1		Id: 3/4



H.Kn.

Sheet: /Interface/  
File: Interface.sch

**Title: Z1013-Desktop**

Size: A4 Date: 2023-06-23  
KiCad E.D.A. kicad (5.1.9)-1

Rev: V3.01  
Id: 4/4