

1

2

3

4

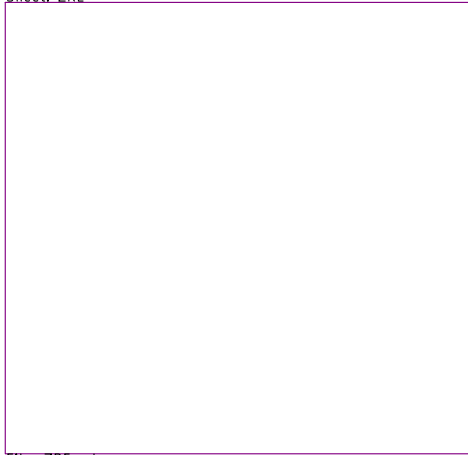
5

6

A

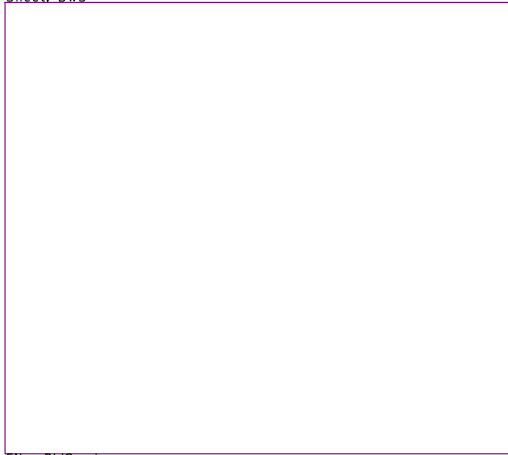
A

Sheet: ZRE



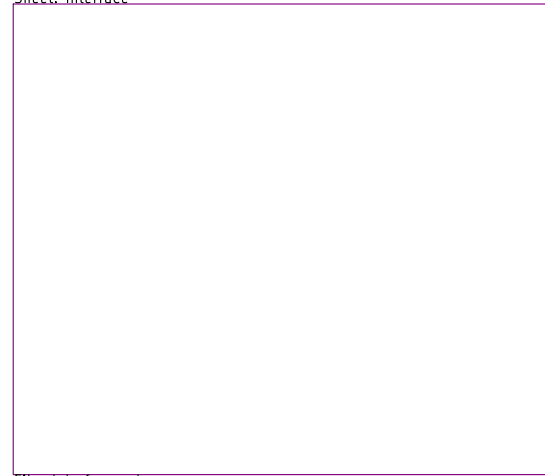
File: ZRE.sch

Sheet: BWS



File: BWS.sch

Sheet: Interface



File: Interface.sch

B

B

C

C

D

D

1

2

3

4

5

6

H.Kn.

Sheet: /  
File: Z1013\_Desktop\_V1\_01.sch

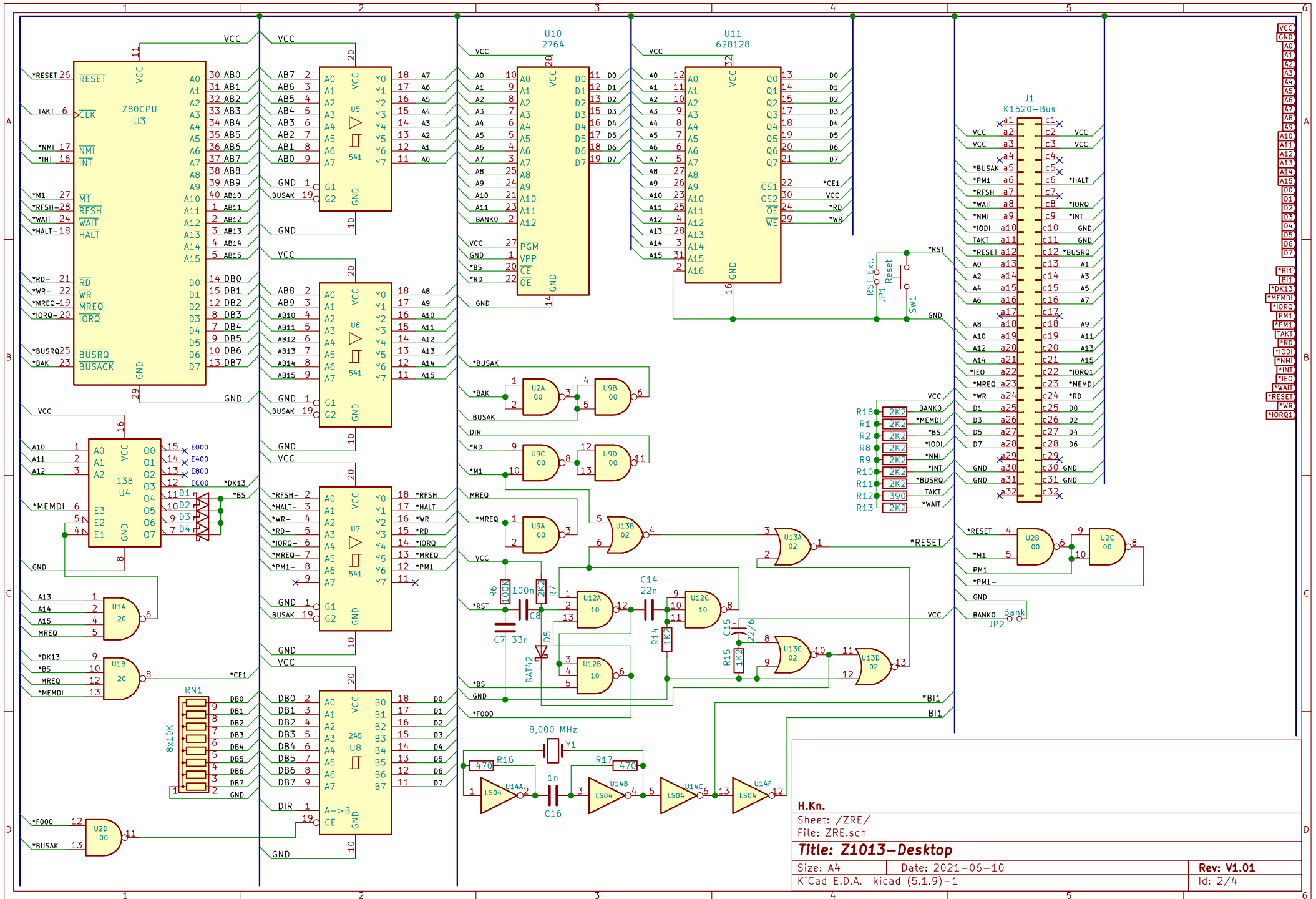
**Title: Z1013-Desktop**

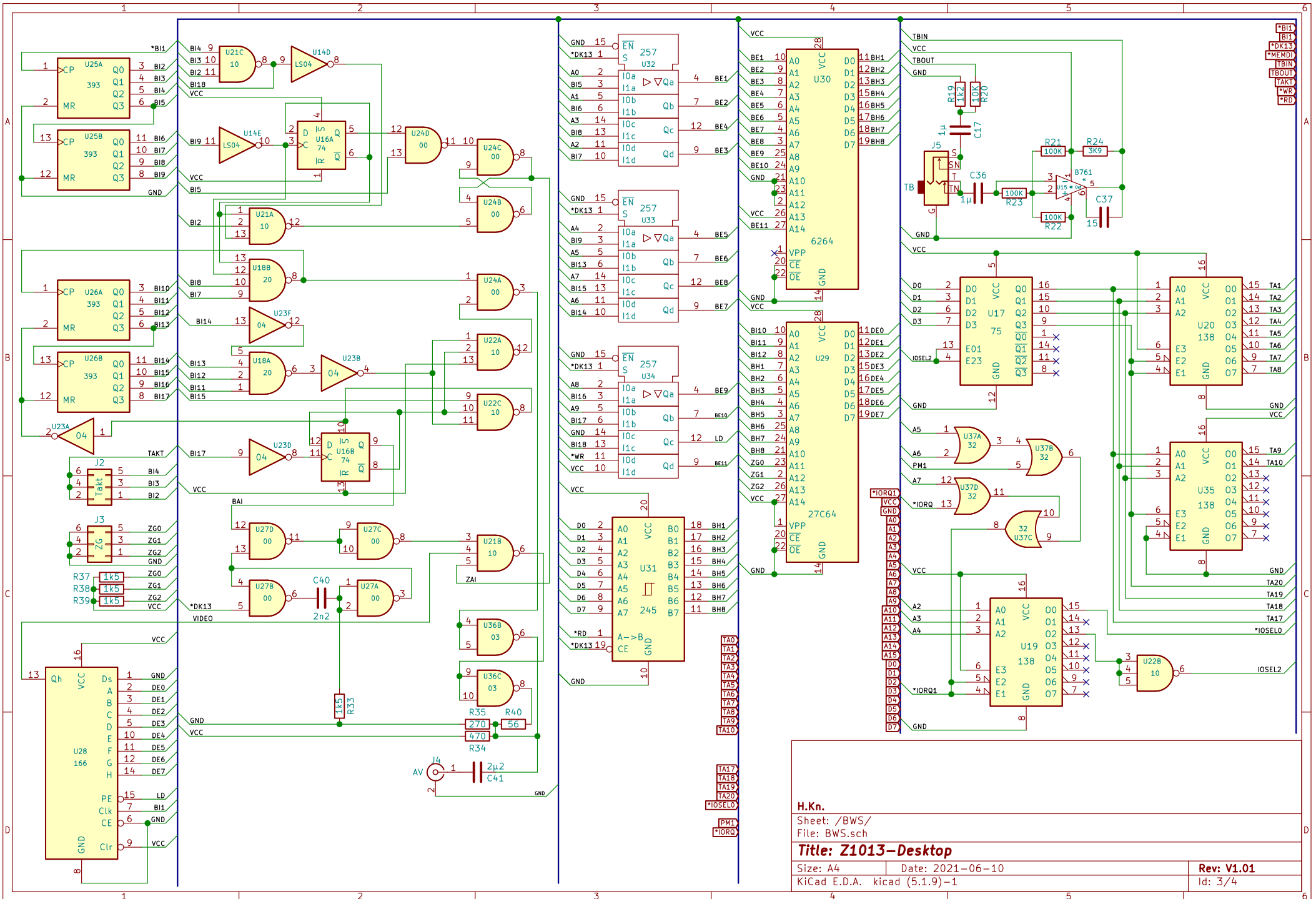
Size: A4 Date: 2021-06-10

Rev: V1.01

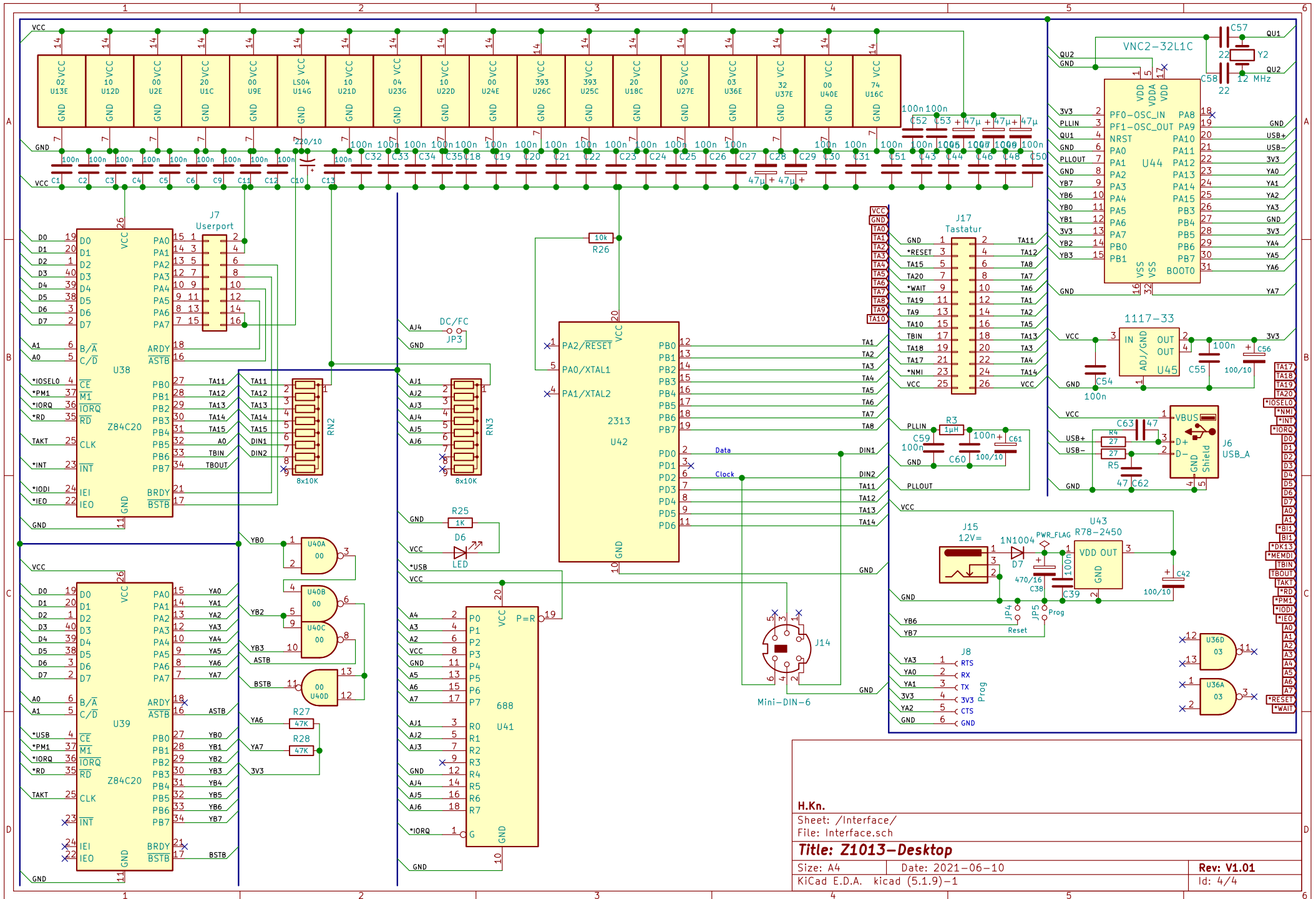
KiCad E.D.A. kicad (5.1.9)-1

Id: 1/4





<p><b>H.Kn.</b>          Sheet: /BWS/          File: BWS.sch</p>	
<p><b>Title: Z1013-Desktop</b></p>	
<p>Size: A4</p>	<p>Date: 2021-06-10</p>
<p>KiCad E.D.A. kicad (5.1.9)-1</p>	<p>Rev: V1.01          Id: 3/4</p>



<b>H.Kn.</b>	
Sheet: /Interface/	
File: Interface.sch	
<b>Title: Z1013-Desktop</b>	
Size: A4	Date: 2021-06-10
KiCad E.D.A. kicad (5.1.9)-1	Rev: V1.01
	Id: 4/4